



### **DISABLED REFUGE EVC STANDARD SYSTEM CONTROLLER FOR UP TO 5 OUTSTATIONS**

**Outstation microphone gain and speaker volume adjust**

**I/O for BMS or other external systems**

**Mild-steel, surface-mount enclosure**

**Knockouts for cable glands designed to accommodate larger fire-resistant cables**

## **DISABLED REFUGE EVC**

Folknoll's vandal resistant, **BS 5839-9:2011** compliant, disabled refuge EVC system offers cost-effective solutions for shops, offices, hotels and other public spaces.

Our range of outstations, master stations and control equipment enables us to construct a system to suit your requirements including photoluminescent outstations, Braille annotation, induction loops, vandal resistant master stations, third party interfaces etc. We can even combine our disabled refuge systems with fire telephones, disabled toilet alarms, and other building alarms to provide cost effective solutions for smaller sites.

All of our disabled refuge systems have keyed enabled switches, integral fault monitoring, and can be powered from a battery backed power supply providing at least 24 hours of standby and 30 minutes of normal operation.

## **STANDARD SYSTEMS**

For larger systems sites, we offer our standard system, with more outstations, additional cabling options, 3rd party interfaces and vandal resistant master stations.

## **RA7700.02 STANDARD SYSTEM CONTROLLER, 5-ZONE**

The DT 7800-137 Standard System Controller, 5-Zone controls up to 5-off fire refuge EVC outstations. Outstations are star-wired to the controllers. Controllers are looped together with the master station. This combination of loop and star cabling enables installers to match system cabling to building layouts.

Controllers perform slave outstation audio path testing. Testing can be triggered from the master station or by an external input e.g. BMS or timer. Faults are reported to operators by the master station and there is a fault output for external devices e.g. BMS.

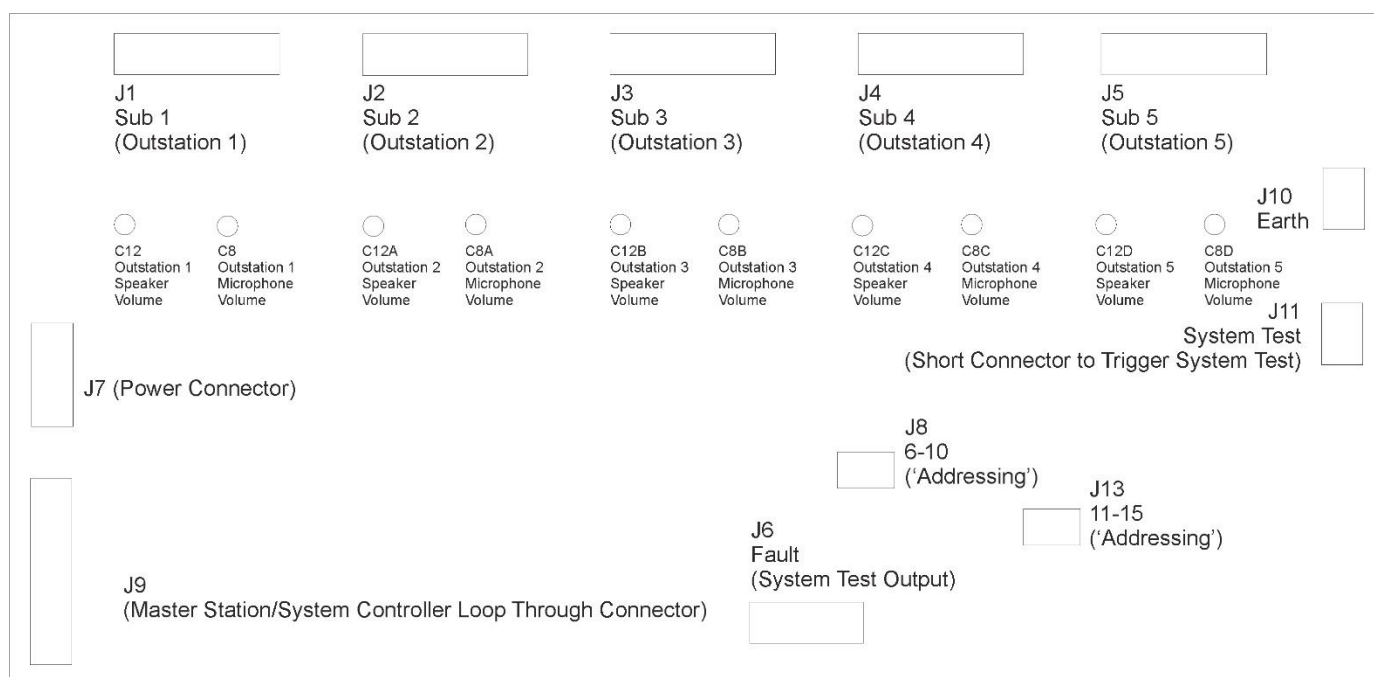
Controllers also provide adjustments for slave outstation microphone gain and speaker output level.

Controller and master station power is usually derived from the battery backed, system, power supply via the loop-through cable.

**SPECIFICATIONS**

Enclosure	Mild steel
Finish:	White painted, Black annotation
Mounting:	Surface
Dimensions (surface mount):	Width 320mm, Height 220mm, Depth 72mm (approx.)
Power:	24V from standard system monitored battery backed PSU
Internal fuse:	2 amp
Audio test input:	Volt free

**CONNECTIONS**



**ABOUT FOLKNOLL**

We are a UK based systems design, manufacturing and installation company. Since 1975 we have been supplying tough, reliable, practical, alarm and control systems for the private and public sectors. All of our products and systems have been designed for easy installation and low maintenance by experienced engineers. As original manufacturers, all of our products and systems can be customised to suit your requirements. We offer custom engraving, special finishes and bespoke features for all of our equipment.

**GET IN TOUCH**

Please contact us for further information about our wide range of products and services and find out how we can provide a solution for you.



**Folknoll Group Ltd.**  
 Old North Rd, Royston, HERTS, SG8 5DT, UK  
 +44 (0) 1763 234567  
 sales@folknoll.co.uk www.folknoll.co.uk